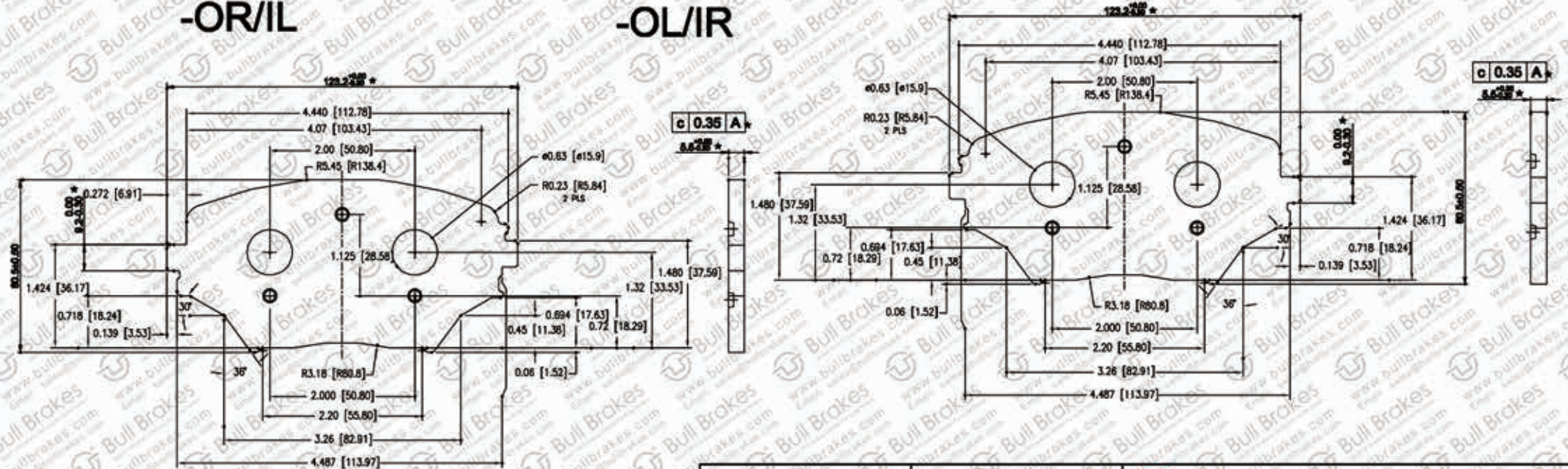


X2
-OR/IL

X2
-OL/IR



Size	Tolerances
0-30mm	± 0.25
30-100mm	± 0.35
>100mm	± 0.50
Rounded corner	
0-3	± 0.25
3-10	± 0.50
>10	± 1
Angle	± 1

BULL INDUSTRY CO., LIMITED

www.bullbrakes.com
Email: sales@bullbrakes.com

Steel Plate 5.5-GB/T 709
Q235-GB/T 700

D862

