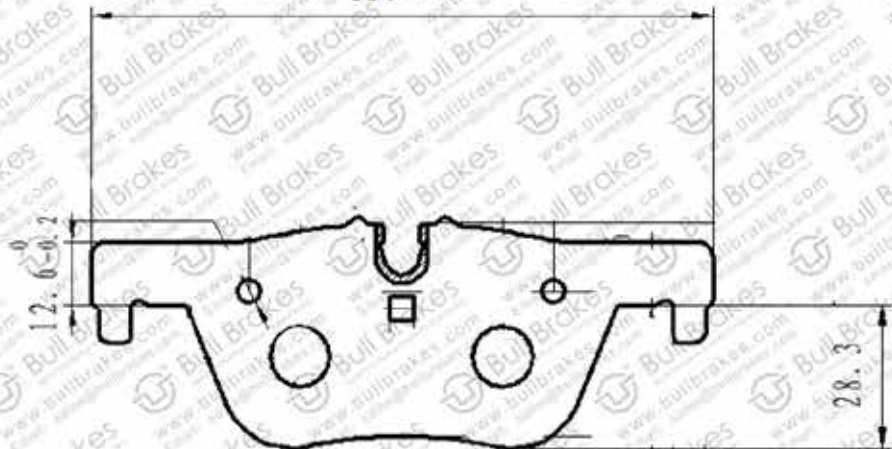
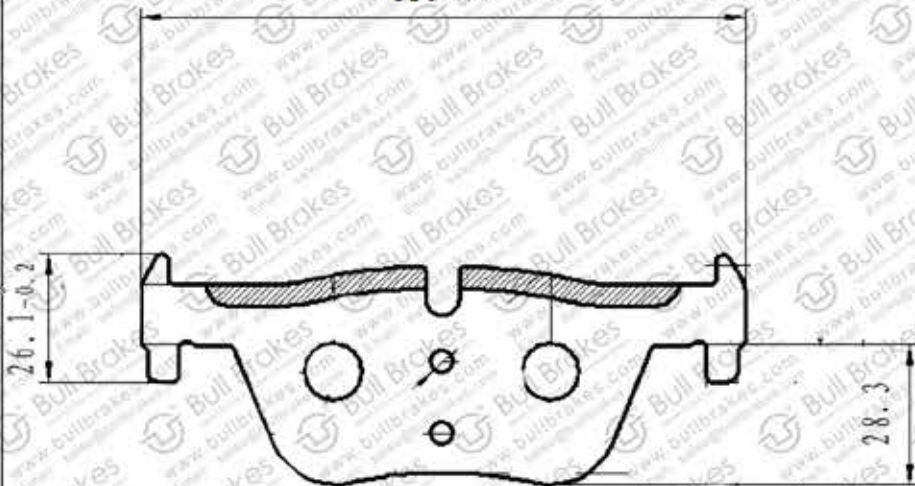


123-0.2



123-0.2



Size	Tolerances
0-30mm	± 0.25
30-100mm	± 0.35
>100mm	± 0.50
Rounded corner	
0-3	± 0.25
3-10	± 0.50
>10	+1
Angle	+1



BULL INDUSTRY CO., LIMITED

D1613

www.bullbrakes.com  
Email: sales@bullbrakes.com

